

R Series Contactless Digitized Potentiometer

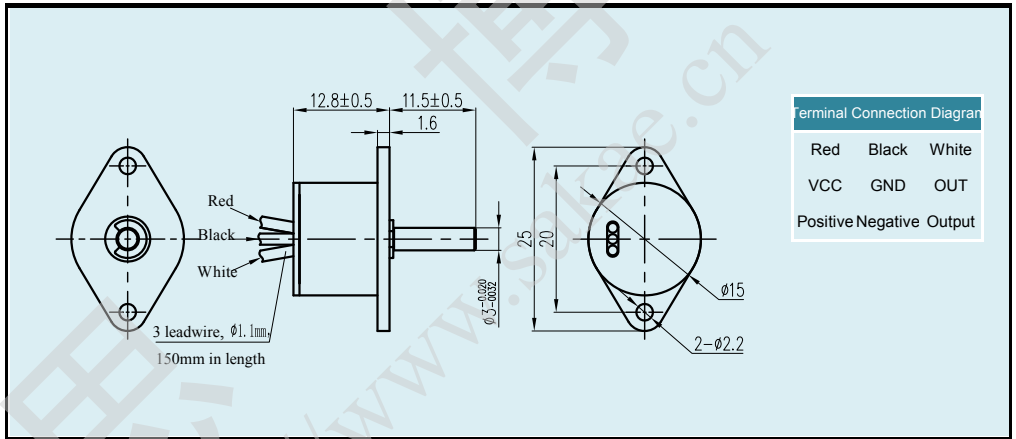
R15F

PAT.



IP65	Mini-Sized	Two Ball Bearings	Flange Mounting
------	------------	-------------------	-----------------

Standard Dimensions



Selection Guide

Series	Diameter	Supply Voltage/Signal Output	Output Direction	Effective Electrical Angle
R	15F	0505	W	360
High performance digitized potentiometers	15: Dia. Φ 15mm F: Flange mounting	0505: $5V \pm 10\%$ / 0 ~ 5V	W: Clockwise C: Anti-clockwise	Between $20^\circ \sim 360^\circ$, optional

Note: Model Numbers Labeled Note 1 and 2 are optional, see Standard and Special Specifications Available

General Specifications

Mechanical Travel	Protection Degree	Starting Torque	Life Expectancy	Mass	Housing	Shaft
360°(Endless)	IP65	<1mN·m	Infinity (in theory)	Abt.15g	Aluminium, anodization in surface	Stainless Steel

Electrical Specifications

Standard Model	Effective Electrical Angle	Independent Linearity Tolerance	Resolution Ratio	Update Rate	Supply Voltage	Signal Output	Supply Current	End Voltage	Output Load Resistance
R15F 0505 W360	360°	0.3%	4096 (12bits)	0.6ms/ 0.2ms(high speed)	$5V \pm 10\%$	0~5V(ratio)	<16mA	<1%·VCC	>10K Ω

Environmental Specifications

Operating Temperature	Deposited Temperature	ESD	EMS
-30℃~+80℃	-30℃~+80℃	Tangency Discharge \pm 8KV, Air Discharge \pm 15KV . EN61000-4-2:2009	10V/m(80MHz~1GHz, 1KHz80% AM modulation) EN61000-4-3:2006+A1:2010

Special Specifications Available

Electrical	Special Electrical Angle (Note 2)	Available for any special electrical angle in $20^\circ \sim 360^\circ$. High level, low level or variable level could be chosen at non-effective angle.
	Special Output (Note 1)	The standard output is 0 ~ 100%; available for any range of output as 10% ~ 90% etc.
Mechanical	Multipoint Programming	Available to set 3 ~ 6 rising or horizontal segment according to customers' requirement.
	Special Shaft	Available for special shaft length, special shaft diameter(<3mm), and special machining on shaft
	Special Torque	Available for light torque(starting torque less than 0.5mN·m)

*If you have other requirement for special specifications (such as digital signal SER,SSI and increment signal, etc.), please feel free to contact us.